



HAT COLLECTIVE™

innovative™
design works

ERGO
TECH™

CompuCaddy®

Innovative Ergonomic Solutions companies

MODEL KT8-19

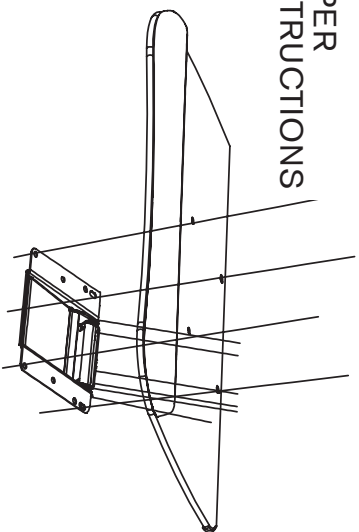
Installation Instructions

Hardware Included:
(20) 10-11 Screws
(1) Bumper
(1) Track Guard

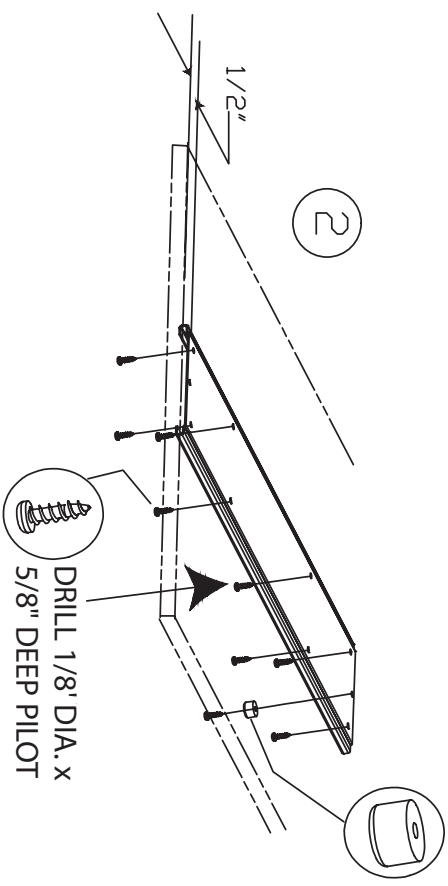
Tools Needed:
Phillips Head Screwdriver
1/8" Drill Bit

1

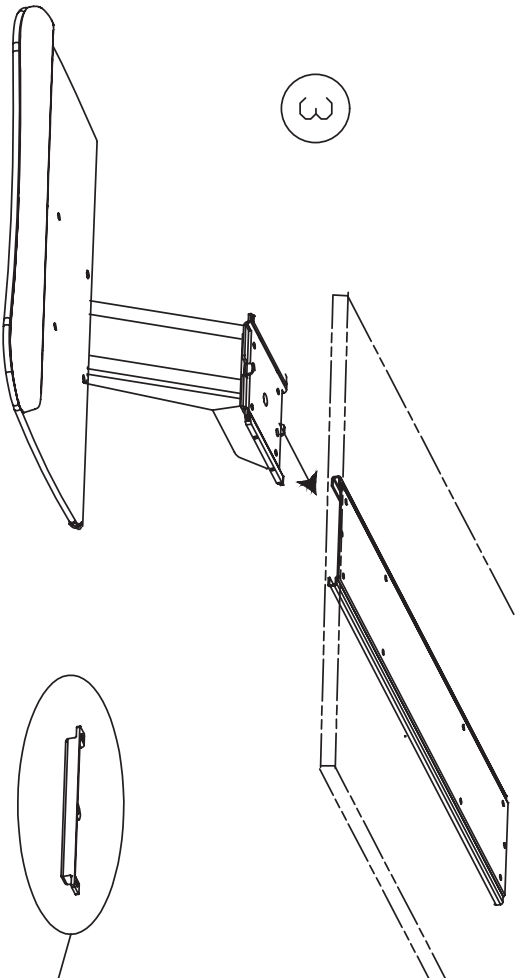
MOUNT PER TRAY INSTRUCTIONS



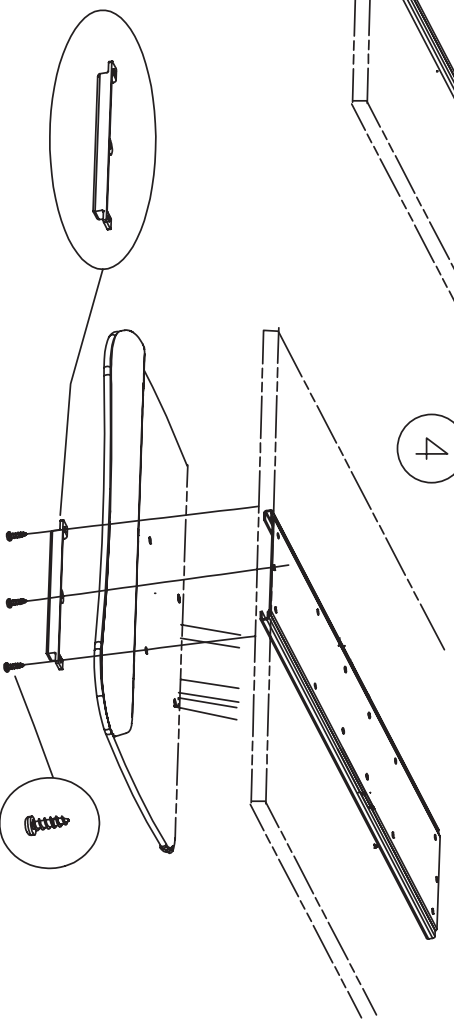
2



3



4





MODEL KT8-19

Installation Instructions

Innovative Ergonomic Solutions companies

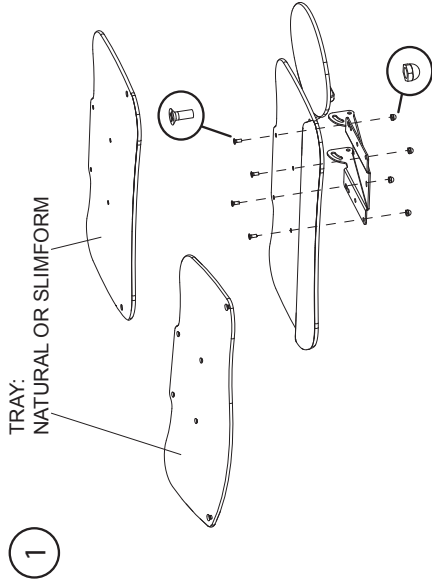
Hardware Included:

- (4) Acorn Nuts
 - (4) Screws
 - (4) Anti-Slip Keyboard Pads
 - (1) Mouse Pad *
 - (1) Mouse Catcher *
- * - only with Mouse Set

Tools Needed:

- Phillips Head Screwdriver
- Wrench
- Allen Wrench

RIGHT HAND MOUSE



LEFT HAND MOUSE

