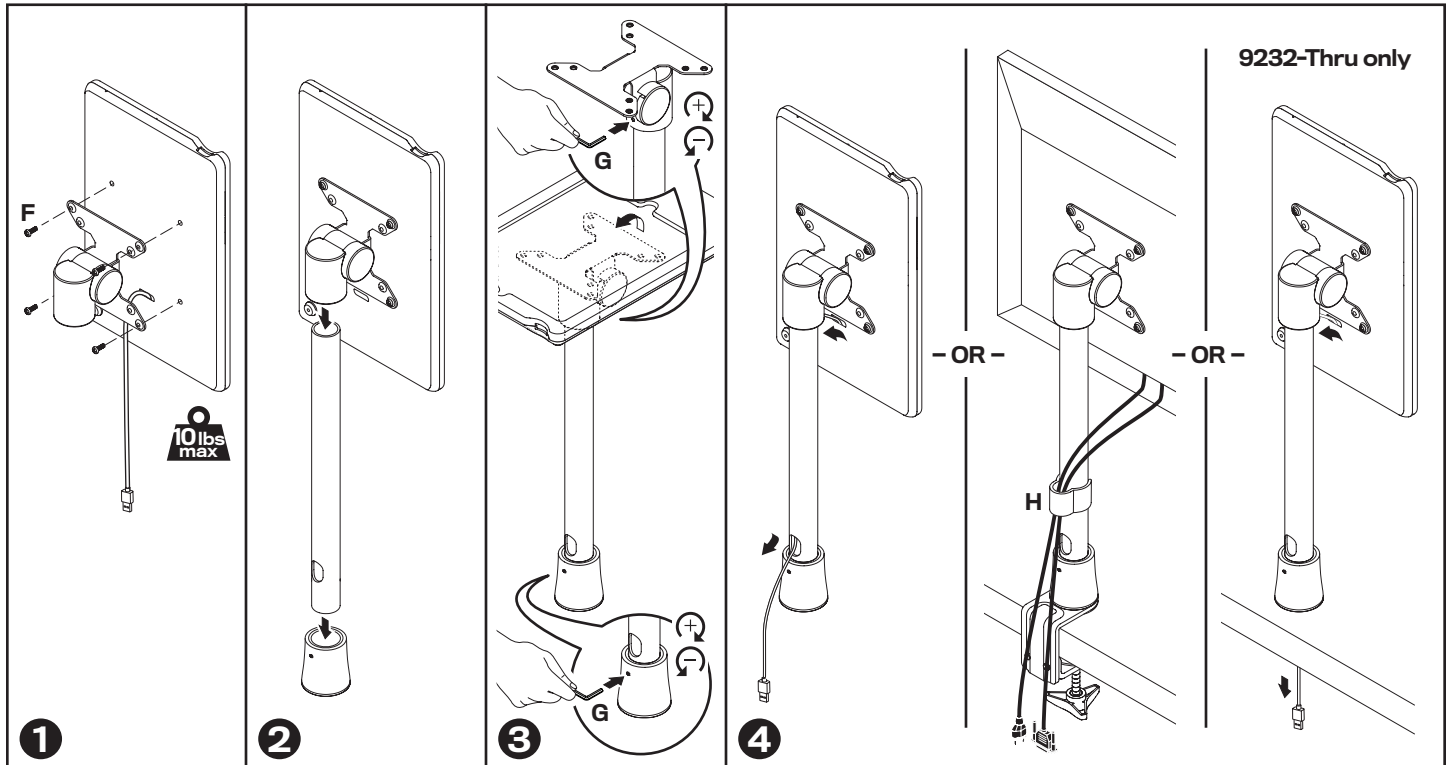
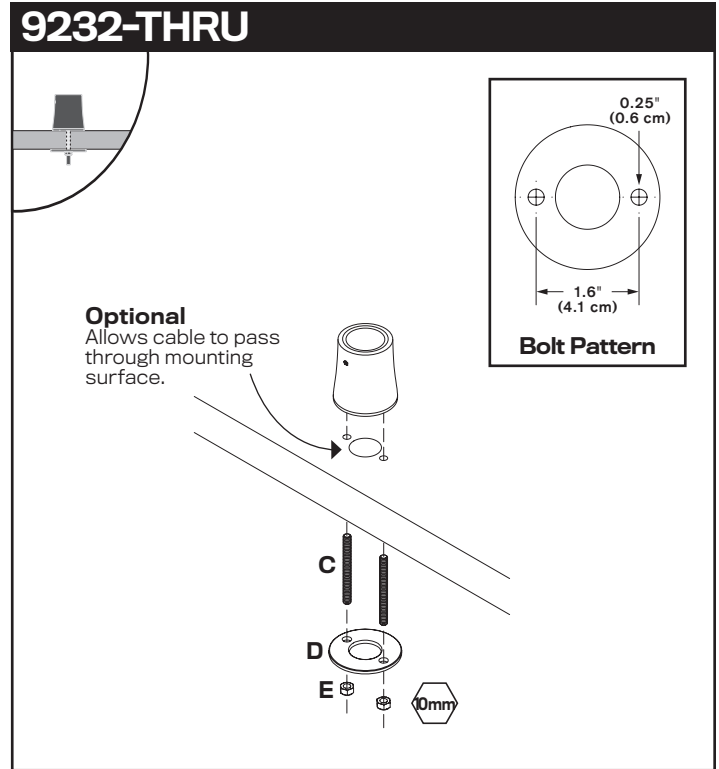
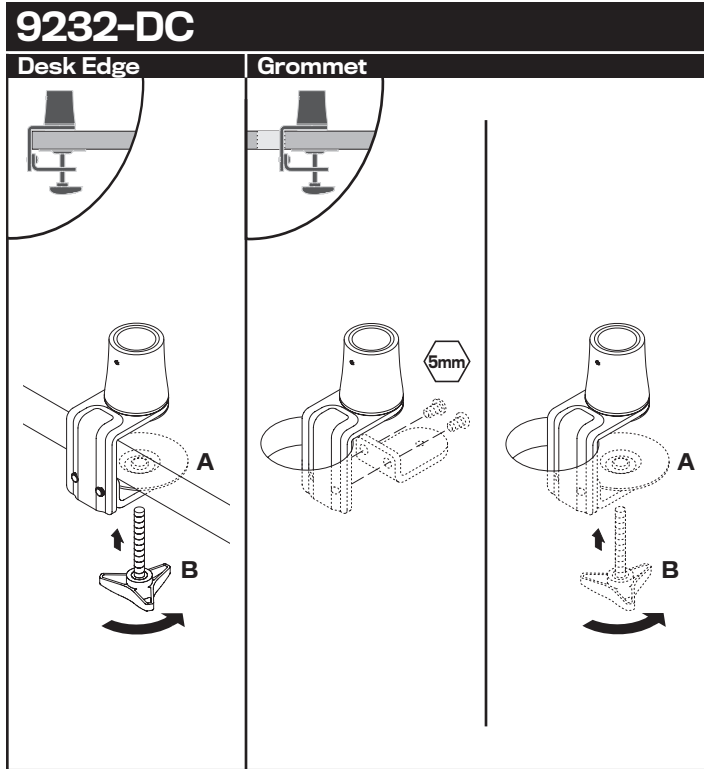



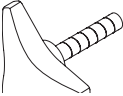
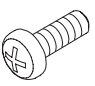
Innovative Ergonomic Solutions companies

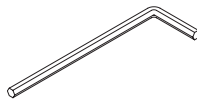
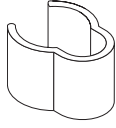
MODEL 9232-DC / 9232-THRU

Installation Instructions

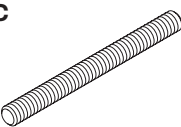
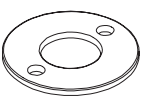
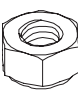


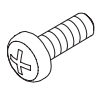
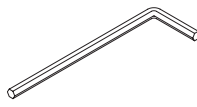
MODEL 9232-DC

ITEM	DESCRIPTION / PART NO.	
A	Clamping Plate 109428	1
		
B	Mount Knob 109427	1
		
F	M4 x 12 mm Phillips Pan Head Screw 1 702096 (4-pack)	
		

ITEM	DESCRIPTION / PART NO.	
G	2 mm Allen Key 110126	1
		
H	Cable Clip 104533	1
		

MODEL 9232-THRU

ITEM	DESCRIPTION / PART NO.	
C	M6 x 1.0 x 65 mm Threaded Stud 2 710674	
		
D	Under Desk Plate 110620	1
		
E	M6 x 1 Nylon Insert Jam Nut 2 709543	
		

ITEM	DESCRIPTION / PART NO.	
F	M4 x 12 mm Phillips Pan Head Screw 1 702096 (4-pack)	
		
G	2 mm Allen Key 110126	1
		
H	Cable Clip 104533	1
	