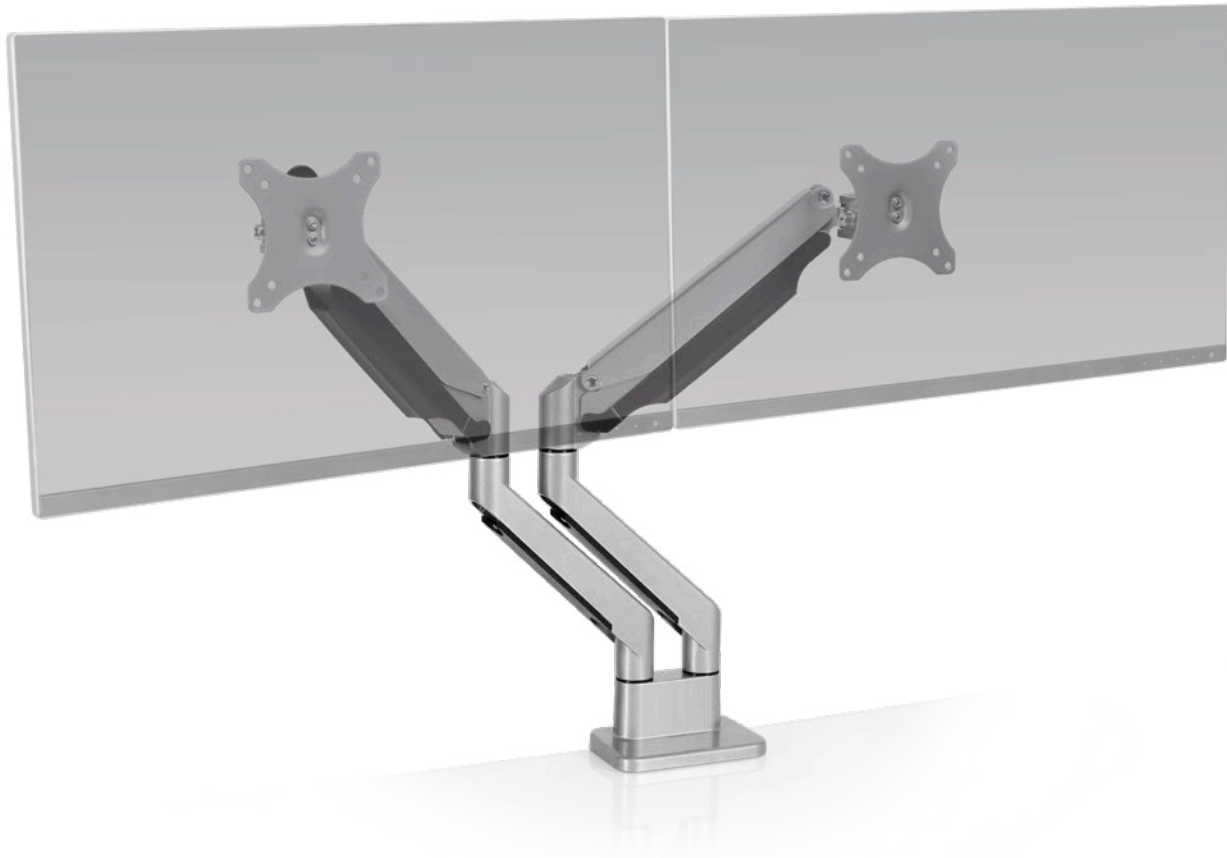




# DUAL ENVOY™

Save space and increase desktop flexibility with the affordable Dual Envoy™ mount. Provides flexible positioning of two monitors in a clean aesthetic to complement any office environment.



### FEATURES

- Extremely flexible positioning of dual flat panel monitors
- Tension adjustment allows for seamless counterbalance.
- One-touch monitor adjustment.
- Detachable, quick-install VESA plate reduces installation time.
- Sleek cable management system routes cables beneath the monitor arm.
- Effortlessly swivels, tilts and portrait to landscape rotation provide a wide range of movement.
- Mounts to desk edge or bolts through desk.
- Built-in 180 degree rotation stop at the base of the arms.

### AVAILABLE MODELS

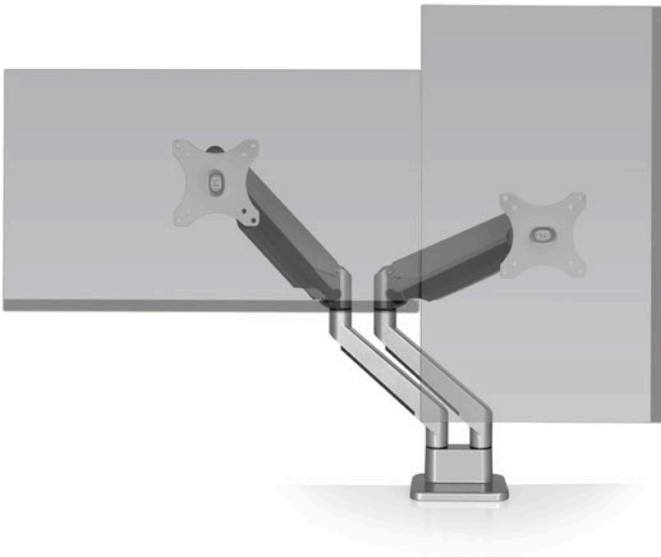
**ENVOY-2** Supports 2.2 - 19.8 lbs (0.9 - 8.9 kg) per monitor

### FINISHES

WHITE | color code: **WHT**

SILVER | color code: **SLV**

BLACK | color code: **BLK**



CAPABILITIES

