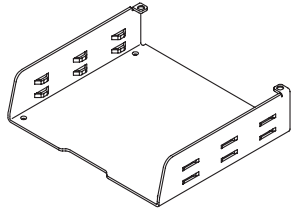


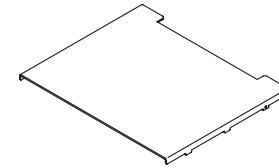
A

Shelf Bracket
111604-124



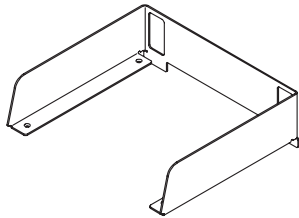
D

Shelf
111629-124



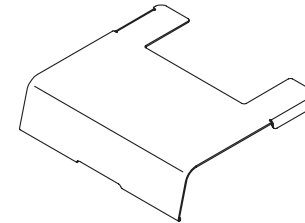
B

Enclosure
111603-124



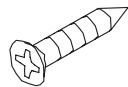
E

Cover
111605-248



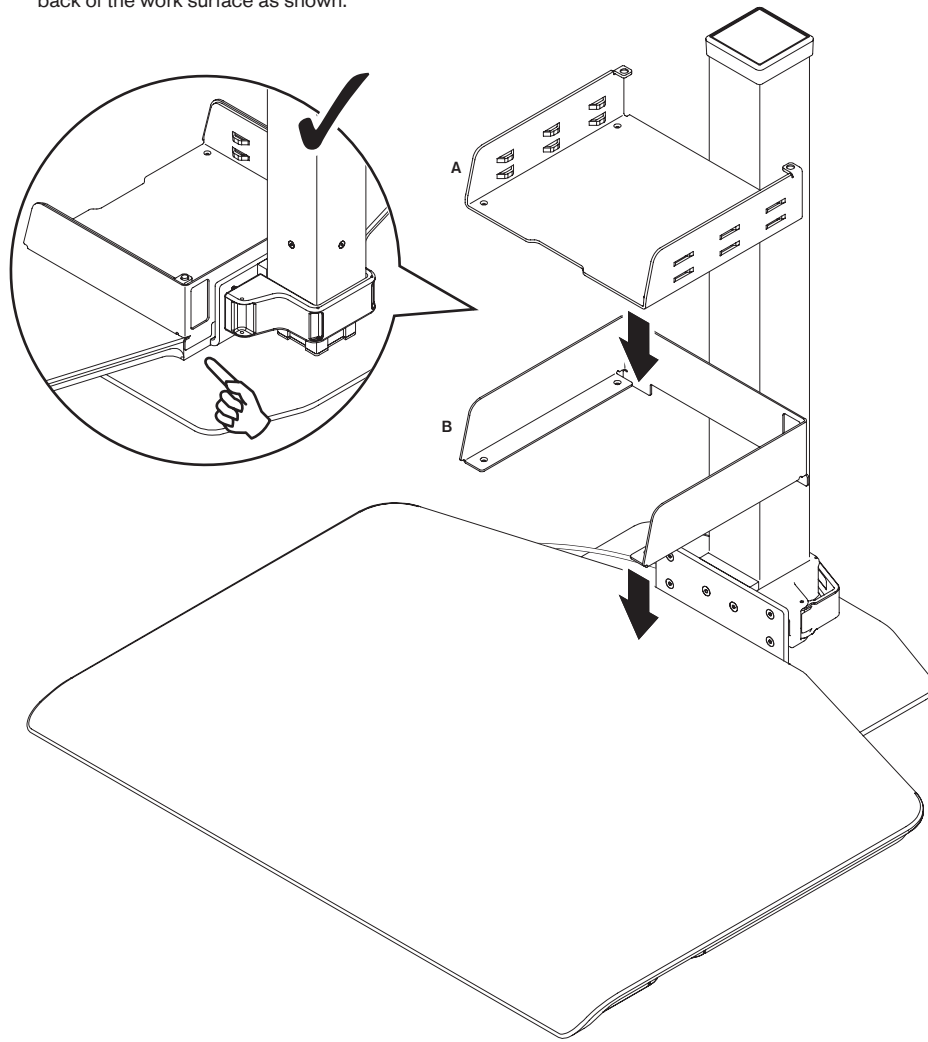
C

#6 x 3/4" FHPhS
711880

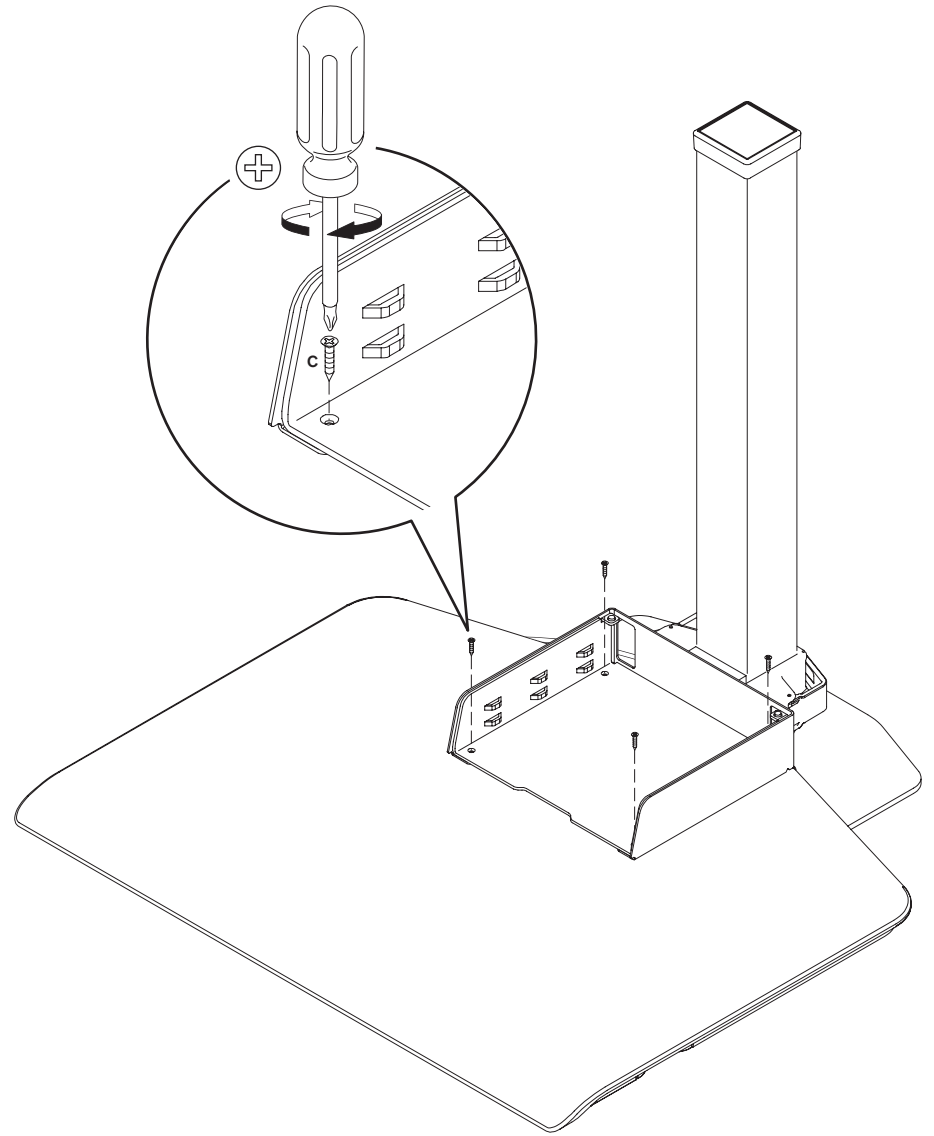


1

Place the platform base on the work surface. Align the platform tabs at the back of the work surface as shown.

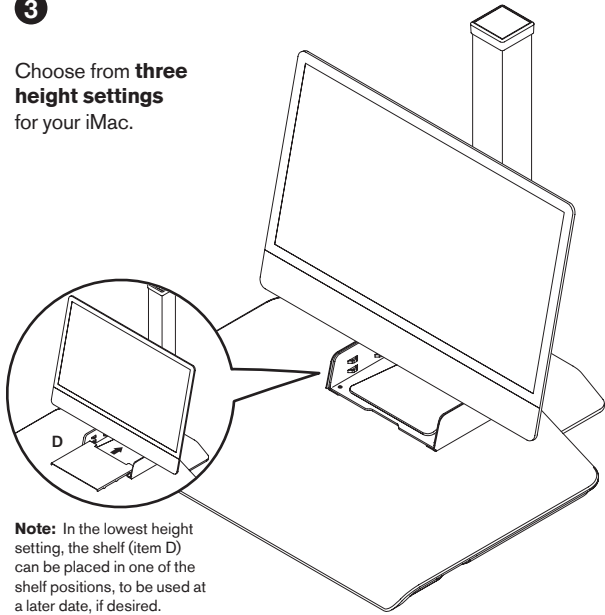


2



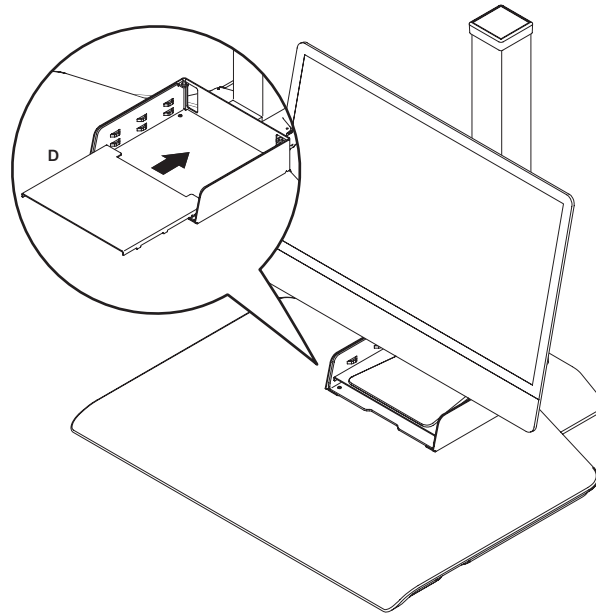
3

Choose from **three height settings** for your iMac.

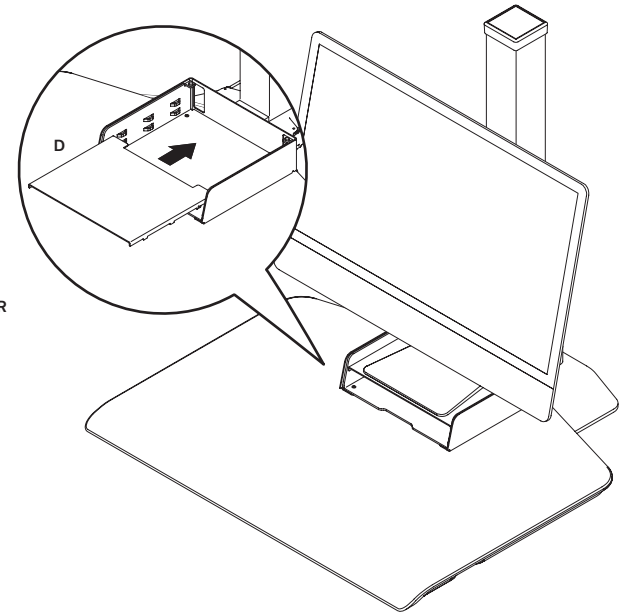


Note: In the lowest height setting, the shelf (item D) can be placed in one of the shelf positions, to be used at a later date, if desired.

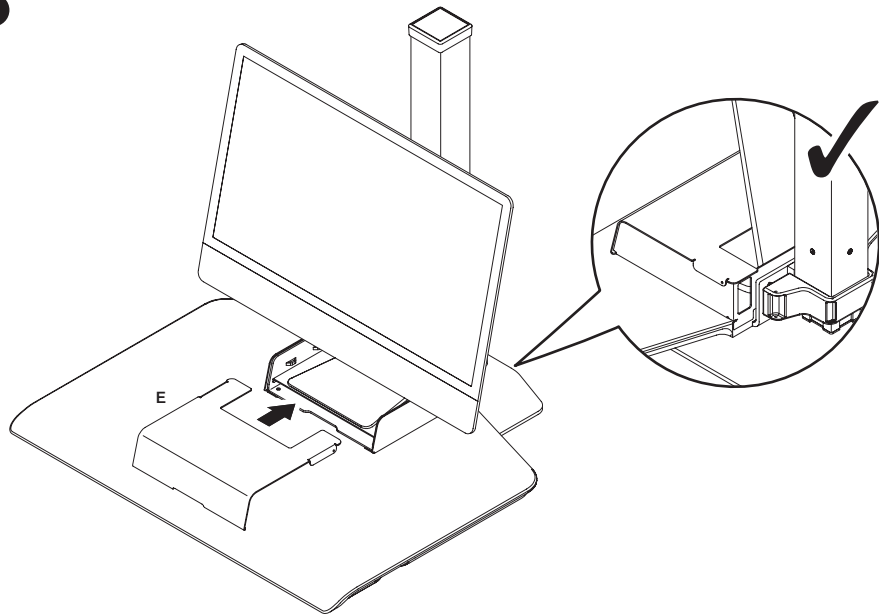
OR



OR



4



i

